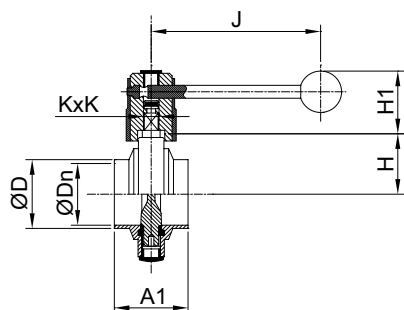




蝶阀尺寸图

DIMENSION OF BUTTERFLY VALVE

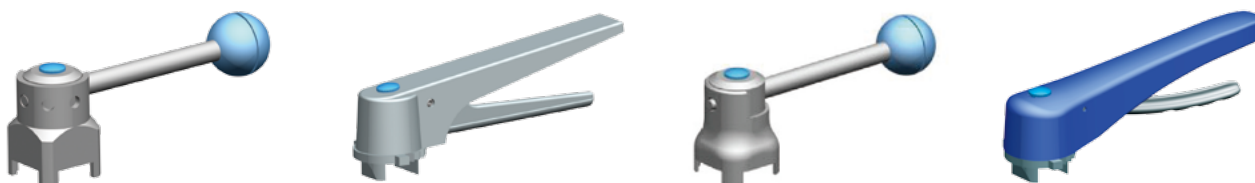


拉式手柄蝶阀
Manual butterfly valve



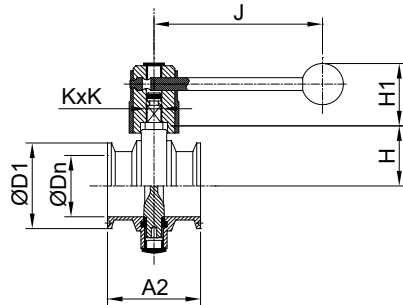
蝶阀 Butterfly valve						
DIN	No.KST-VD001					
SIZE	Dn	D	J	H	H1	A1
DN10	10	13	126	40	43.5	50
DN15	15	18/9	126	40	43.5	50
DN20	19	22/23	126	40	43.5	50
DN25	25	28/29	126	40	43.5	50
DN32	31	34/35	126	44.5	43.5	50
DN40	37	40/41	126	46.5	43.5	50
DN50	49	52/53	133	54.5	47.5	52
DN65	66	70	144	64	47.5	56
DN80	81	85	160	70.5	50	60
DN100	100	104	160	81	50	64
DN125	125	129	257	94.5	52.5	80
DN150	150	154	257	110	52.5	90
DN200	200	204	397	145	52.5	90
DN150	250	254	397	174	52.5	90
DN300	300	304	397	174	52.5	90

蝶阀 Butterfly valve						
INCH	No.KST-VD002					
SIZE	Dn	D	J	H	H1	A1
1/2"	9.7	12.7	126	40	43.5	50
3/4"	16.1	19.1	126	40	43.5	50
1"	22.4	25.4	126	40	43.5	50
1 1/4"	28.8	31.8	126	40	43.5	50
1 1/2"	35.1	38.1	126	44.5	43.5	50
Φ45	41	45	126	46.5	43.5	50
Φ48	45	48	126	48.5	43.5	52
2"	47.8	50.8	133	52.5	47.5	52
Φ57	53	57	144	54	47.5	52
2 1/2"	59.5	63.5	144	59	47.5	56
3"	72.2	76.2	144	65.5	47.5	56
3.5"	85	89	144	72	50	60
4" 小	97.6	101.6	144	79	50	64
4" 大	97.6	101.6	160	81	50	64
108	104	108	160	82.5	50	64
114.3	110.3	114.3	160	82.5	52.5	64
133	127	133	257	94.5	52.5	80
6"	146.8	152.8	257	110	52.5	90
159	153	159	257	110	52.5	90
8"	197.6	203.2	397	145	52.5	90
219	211	219	397	145	52.5	90
10"	247.2	254	397	174	52.5	90



蝶阀尺寸图

DIMENSION OF BUTTERFLY VALVE

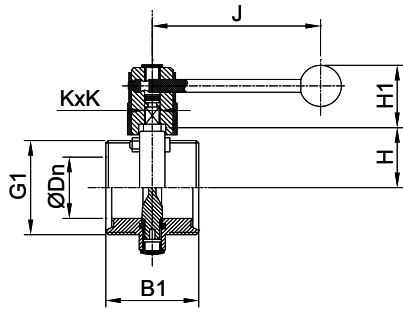


拉式手柄蝶阀
Manual butterfly valve



蝶阀 Butterfly valve						
DIN	No.KST-VD003					
SIZE	Dn	D1	J	H	H1	A2
DN10	10	34	126	40	43.5	66
DN15	15	34	126	40	43.5	66
DN20	19	34	126	40	43.5	66
DN25	25	50.5	126	40	43.5	66
DN32	31	50.5	126	44.5	43.5	66
DN40	37	50.5	126	46.5	43.5	70
DN50	49	64	133	54.5	47.5	76
DN65	66	91	144	64	47.5	80
DN80	81	106	160	70.5	50	84
DN100	100	119	160	81	50	104
DN125	125	144.5	257	94.5	52.5	122
DN125	125	155	257	94.5	52.5	122
DN150	150	167	257	110	52.5	146
DN150	150	183	257	110	52.5	146
DN200	200	217.4	257	145	52.5	166
DN200	200	233.5	397	145	52.5	166
DN250	250	268	397	174	52.5	167
DN300	300	319	397	174	52.5	146

蝶阀 Butterfly valve						
INCH	No.KST-VD004					
SIZE	Dn	D1	J	H	H1	A2
1/2"	9.7	25.4	126	40	43.5	66
3/4"	16.1	25.4	126	40	43.5	66
1 1/4"	22.4	50.5	126	40	43.5	66
1 1/2"	28.8	50.5	126	40	43.5	66
1"	35.1	50.5	126	44.5	43.5	70
Φ45	41	64	126	46.5	43.5	74
Φ48	45	64	126	48.5	43.5	76
2"	47.8	64	133	52.5	47.5	76
Φ57	53	77.5	144	54	47.5	76
2 1/2"	59.5	77.5	144	59	47.5	80
3"	72.2	91	144	65.5	47.5	84
3.5"	85	106	144	72	50	86
4" 小	97.6	119	144	79	50	104
4" 大	97.6	119	160	81	50	104
108	104	119	160	82.5	50	106
114.3	110.3	130	160	82.5	52.5	106
133	127	144.5	257	94.5	52.5	122
6"	146.8	167	257	110	52.5	146
159	153	183	257	110	52.5	146
8"	197.6	217.4	397	145	52.5	166
219	211	233.5	397	145	52.5	166
10"	247.2	268	397	174	52.5	167



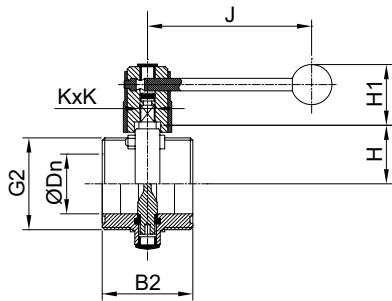
拉式手柄蝶阀
Manual butterfly valve with pull handle

蝶阀 Butterfly valve

DIN

No.KST-VD005

SIZE	Dn	K*K	H	H1	B1	螺纹 Male(DIN)
						G1
DN10	10	8*8	40	43.5	66	Rd28*1/8
DN15	15	8*8	40	43.5	66	Rd34*1/8
DN20	19	8*8	40	43.5	66	Rd44*1/6
DN25	25	8*8	40	43.5	66	Rd52*1/6
DN32	31	8*8	44.5	43.5	70	Rd58*1/6
DN40	37	8*8	46.5	43.5	74	Rd65*1/6
DN50	49	10*10	54.5	47.5	76	Rd78*1/6
DN65	66	10*10	64	47.5	80	Rd95*1/6
DN80	81	11*11	70.5	50	84	Rd110*1/4
DN100	100	11*11	81	50	104	Rd130*1/4
DN125	125	14*14	94.5	52.5	130	Rd160*1/4
DN150	150	14*14	110	52.5	150	Rd190*1/4



拉式手柄蝶阀
Manual butterfly valve with pull handle

蝶阀 Butterfly valve

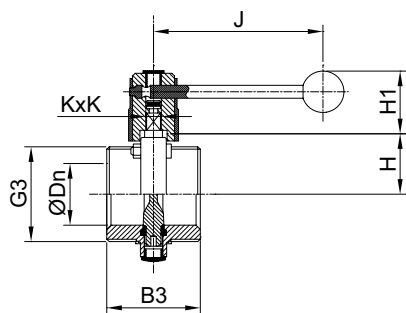
SMS

No.KST-VD006

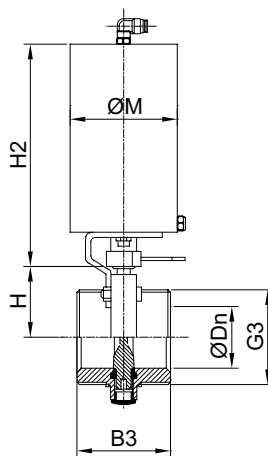
SIZE	Dn	K*K	H	H1	B2	螺纹 Male(DIN)
						G2
3/4"	16	8*8	40	43.5	66	Rd36*1/8"
1"	22.4	8*8	40	43.5	66	Rd40*1/6"
1 1/4"	28.8	8*8	40	43.5	66	Rd48*1/6"
1 1/2"	35.1	8*8	44.5	43.5	70	Rd60*1/6"
2"	47.8	10*10	52.5	47.5	76	Rd70*1/6"
2 1/2"	59.5	10*10	59	47.5	80	Rd85*1/6"
3"	72.2	10*10	65.5	47.5	84	Rd98*1/6"
3.5"	85	11*11	72	50	86	Rd105*1/6"
4" 小	97.6	11*11	79	50	104	Rd125*1/4"
4" 大	97.6	11*11	81	50	104	Rd132*1/4"

蝶阀尺寸图

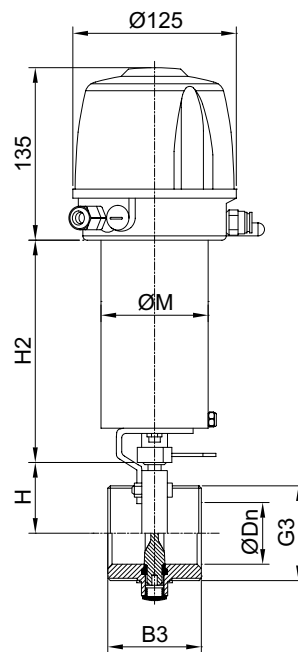
DIMENSION OF BUTTERFLY VALVE



拉式手柄蝶阀
Manual butterfly valve with pull handle



不锈钢气动蝶阀
SS Pneumatic butterfly valve



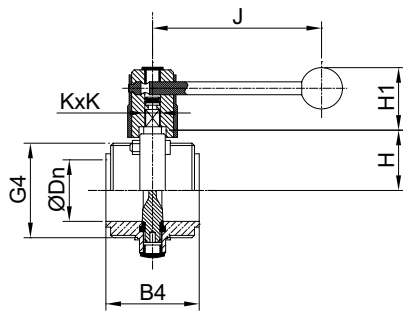
带智能头气动蝶阀
Pneumatic butterfly valve+C-TOP

蝶阀 Butterfly valve

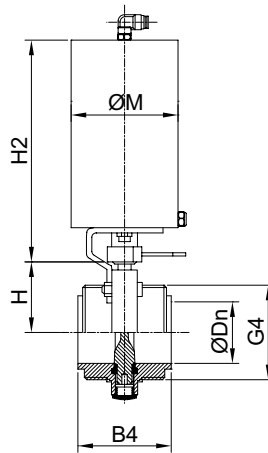
3A

No.KST-VD007

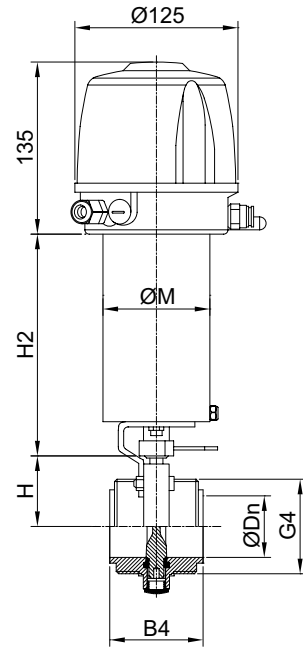
SIZE	Dn	K*K	H	H1	H2	B3	M	螺纹 Male(3A)
								G3
1"	22.1	8*8	40	43.5	172.5	66	86	37.1*1/8Acme
1 1/4"	28.8	8*8	40	43.5	172.5	70	86	45.9*1/8Acme
1 1/2"	34.8	8*8	44.5	43.5	172.5	70	86	50.6*1/8Acme
2"	47.5	10*10	52.5	47.5	172.5	76	86	64.1*1/8Acme
2 1/2"	60.2	10*10	59	47.5	172.5	80	86	77.6*1/8Acme
3"	72.9	10*10	65.5	47.5	172.5	84	86	91.1*1/8Acme
4"	97.4	11*11	79	50	172.5	104	86	119.2*1/6Acme



拉式手柄蝶阀
Manual butterfly valve with pull handle



不锈钢气动蝶阀
SS Pneumatic butterfly valve



带智能头气动蝶阀
Pneumatic butterfly valve+C-TOP

蝶阀 Butterfly valve

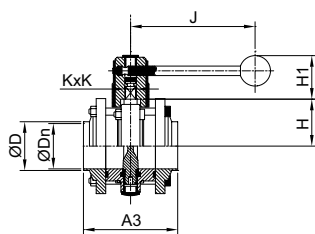
ISO/IDF

No.KST-VD008

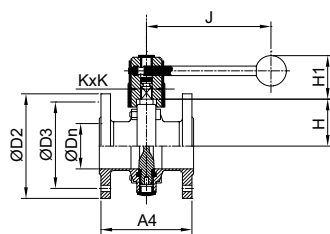
SIZE	Dn	K*K	H	H1	H2	B4	M	螺纹 Male(ISO/IDF)	
								G4	
1"	22.4	8*8	40	43.5	172.5	66	86	37.1*1/8Acme	
1 1/2"	35.1	8*8	44.5	43.5	172.5	76	86	50.6*1/8Acme	
2"	47.8	10*10	52.5	47.5	172.5	82	86	64.1*1/8Acme	
2 1/2"	59.5	10*10	59	47.5	172.5	86	86	77.6*1/8Acme	
3"	72.2	10*10	65.5	47.5	172.5	90	86	91.1*1/8Acme	
3.5"	84.9	10*10	72	50	172.5	90	86	104.7*1/6Acme	
4"(ISO)	97.6	11*11	79	50	172.5	110	86	118.2*1/8Acme	
4"(IDF)	97.6	11*11	79	50	172.5	110	86	125.9*1/6Acme	

蝶阀尺寸图

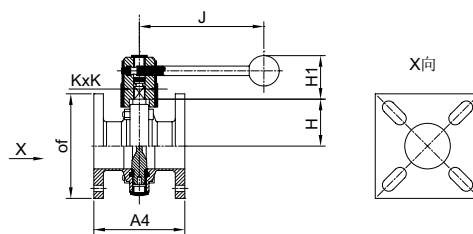
DIMENSION OF BUTTERFLY VALVE



三片式
Three-piece butterfly valve



法兰式 (圆形)
Flangd butterfly valve(Round type)



法兰式 (四方法兰)
Flangd butterfly valve(Square type)

蝶阀 Butterfly valve

DIN

No.KST-VD009

SIZE	Dn	D	D2	D3	K*K	J	H	H1	A3	A4	OF
DN10	10	13	-	-	8*8	126	40	43.5	100	-	-
DN15	15	18/19	95	65	8*8	126	40	43.5	100	110	100*100
DN20	19	22/23	105	75	8*8	126	40	43.5	100	110	100*100
DN25	25	28/29	115	85	8*8	126	40	43.5	100	110	100*100
DN32	31	34/35	135	100	8*8	126	44.5	43.5	100	116	100*100
DN40	37	40/41	145	110	8*8	126	46.5	43.5	100	118	100*100
DN50	49	52/53	160	125	10*10	133	54.5	47.5	104	120	100*100
DN65	66	70	180	145	10*10	144	64	47.5	112	124	120*120
DN80	81	85	195	160	11*11	160	70.5	50	120	130	140*140
DN100	100	104	215	180	11*11	160	81	50	128	152	140*140
DN125	125	129	246	210	14*14	257	94.5	52.5	160	178	-
DN150	150	154	280	240	14*14	257	110	52.5	180	198	-
DN200	200	204	335	295	14*14	397	145	52.5	180	270	-

蝶阀 Butterfly valve

INCH

No.KST-VD010

SIZE	Dn	D	D2	D3	K*K	J	H	H1	A3	A4	OF
1/2"	9.7	12.7	-	-	8*8	126	40	43.5	100	-	-
3/4"	15.8	19.1	95	65	8*8	126	40	43.5	100	-	100*100
1"	22.4	25.4	105	75	8*8	126	40	43.5	100	110	100*100
1 1/4"	28.8	31.8	115	85	8*8	126	40	43.5	100	110	100*100
1 1/2"	35.1	38.1	135	100	8*8	126	44.5	43.5	100	116	100*100
Φ45	41	45	145	110	8*8	126	46.5	43.5	100	118	100*100
Φ48	45	48	145	110	8*8	126	48.5	43.5	100	118	100*100
2"	47.8	50.8	145	110	10*10	133	52.5	47.5	104	118	100*100
Φ57	53	57	160	125	10*10	144	54	47.5	104	120	100*100
2 1/2"	59.5	63.5	160	125	10*10	144	59	47.5	112	120	120*120
3"	72.2	76.2	180	145	10*10	144	65.5	47.5	112	124	140*140
3.5"	85	89	195	160	11*11	144	72	50	120	130	140*140
4" 小	97.6	101.6	195	160	11*11	144	79	50	128	130	140*140
4" 大	97.6	101.6	195	160	11*11	160	81	50	128	130	140*140
108	104	108	215	180	11*11	160	82.5	50	128	152	-
114.3	110.3	114.3	215	180	11*11	160	82.5	52.5	160	152	-
133	127	133	245	210	14*14	257	94.5	52.5	160	178	-
6"	146.8	152.4	280	240	14*14	257	110	52.5	180	198	-
159	153	159	280	240	14*14	257	110	52.5	180	198	-
8"	197.6	203.2	335	295	14*14	397	145	52.5	180	270	-
219	211	219	335	295	14*14	397	145	52.5	180	270	-
10"	247.2	254	390	350	14*14	397	174	52.5	-	270	-