

迷你气动隔膜阀 KST260

MINI PNEUMATIC DIAPHRAGM VALVE

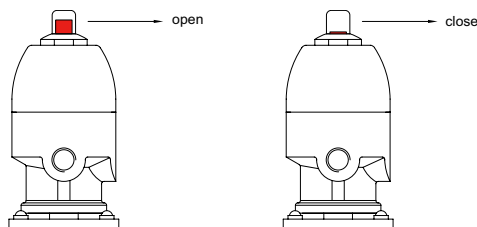
工作压力：0-10bar
 工作温度：-40~150°C
 驱动机构：气动控制
 密封材质：EPDM,EPDM+TFM
 阀体设计：直通阀体设计
 阀体材质：316L（铸造，EN1.4409 CF3M）
 接口尺寸：DN20-DN50
 接口方式：KST260-1：焊式、KST260-2焊卡式、
 KST260-3:卡式
 表面处理：外表面Ra≤0.5μm（SF1），
 内表面Ra≤0.375μm（SF4）
 接口标准：ISO,DIN,ASME BPE.3A,BS

Working pressure: 0-10bar
 Working temperature: -40~150°C
 Drive mechanism: pneumatic control
 Seal material: EPDM+TFM, EPDM
 Body design: straight through valve design
 Body material: 316L (casting, CF3M EN1.4409)
 Interface size: DN20-DN50
 Interface type: KST260-1 type, KST260-2 type welding: welding,
 KST260-3: card
 Surface treatment: the outer surface of Ra is less than or equal to
 0.5 m (SF1),
 The inner surface of Ra is less than or equal to 0.375 m (SF4)
 Interface standard: ISO, DIN, BPE.3A BS, ASME



驱动器

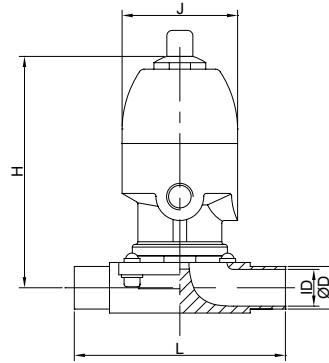
类型：KST-SS260
 尺寸：DN15-DN20
 主要材质：PC显示盖、不锈钢支座、阀杆、壳体
 状态显示：气动开关状态显示如图
 信号反馈：可加装FBS、FBS-SVC（电磁阀智能控制）



Drive
 Type: KST-SS260
 Size: DN15-DN20
 Main material: PC display cover, stainless steel support, valve stem,
 shell
 Status display: pneumatic switch state display
 Signal feedback: can be installed FBS-SVC, FBS (solenoid valve
 intelligent control)

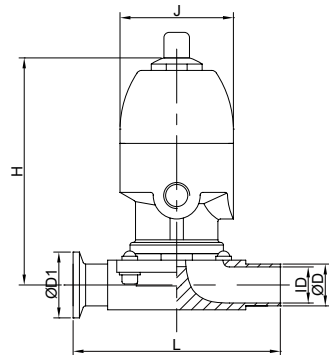
迷你气动隔膜阀

MINI PNEUMATIC DIAPHRAGM VALVE



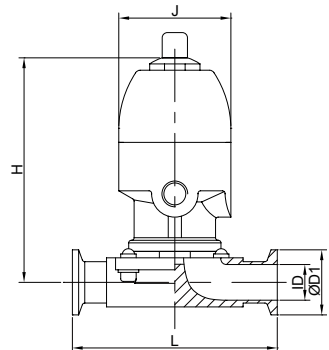
No.KST260-1

Size	ΦD	ΦD1	ID	L	H	J
DN8	11	-	8	72	85	43.5
DN10	13	-	10	72	85	43.5
DN15	18	-	15	108	85	43.5



No.KST260-2

Size	ΦD	ΦD1	ID	L	H	J
DN8	11	25.4/34	8	80.5	85	43.5
DN10	13	25.4/34	10	80.5	85	43.5
DN15	18	25.4/34	15	108	85	43.5



No.KST260-3

Size	ΦD	ΦD1	ID	L	H	J
DN8	-	25.4/34	8	89	85	43.5
DN10	-	25.4/34	10	89	85	43.5
DN15	-	25.4/34	15	108	85	43.5